



The Towmaster® deck-over tilt trailer offers convenience and durability. No ramps to hassle with, simply tilt the deck and drive on or off. Our patented automatic kick-out ramp doubles as under-ride protection. The deck is locked with a single-lever twin-latch system. A stationary forward deck is standard and a deck cushion cylinder eases the deck onto the frame.



Patented automatic kick-out ramp doubles as under-ride protection.



Cushion cylinder controls the deck tilt when loading or unloading equipment. Optional Hutchens® 9700 suspension shown.



4-foot stationary deck is standard and allows room for longer equipment and the added length makes towing easier.

### Quick Specs:

- 33.5" deck height (loaded)
- 8'-6" deck width
- 24' tilt deck, 4' stationary
- Elec. brakes
- D-ring tie-downs
- Hutchens® suspension
- Kick-out ramp/under-ride protection
- Single-lever twin-latch locking system
- LED lights



Photos may show optional equipment.

## AMERICA'S BEST BUILT TRAILERS FOR PROFESSIONAL HAULERS



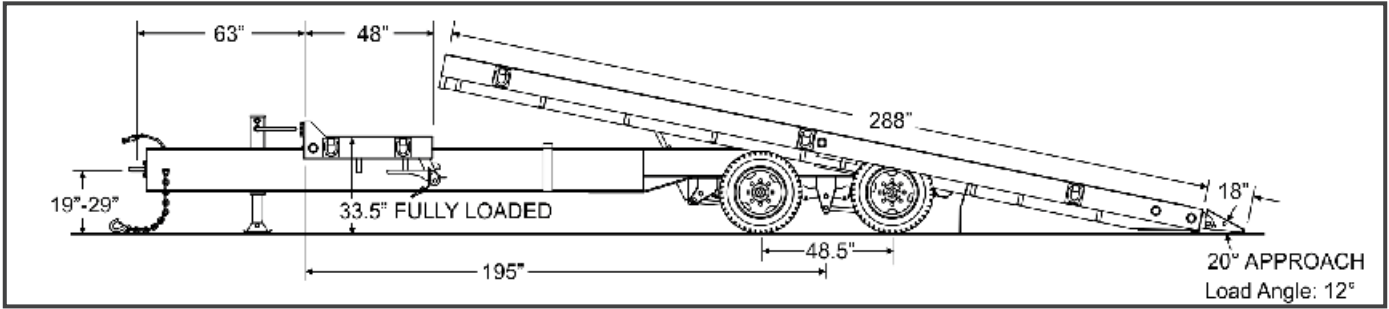
**800-462-4517**  
TOWMASTER.COM



**GALVANIZING  
AVAILABLE**



**MORE MODELS • MORE OPTIONS • MORE CHOICES**  
DROP-DECK • TILT BED • DECK-OVER • GOOSENECK • LOWBOY • HYDRAULIC TAIL



SPECIFICATIONS				
S=Standard O=Optional				
T-30T				
<b>CAPACITY / DIMENSIONS</b>				
Payload Rating (lbs/kg)	30,000 / 13,608			
GVWR (lbs/kg)	39,800 / 18,053			
GAWR (lbs/kg)	30,000 / 13,608			
Approx. Avg. Weight (lbs/kg)	9,800 / 4445			
Overall Length (ft-in/mm)	34-0 / 10,363			
Deck Height (loaded)(in/mm)	33.5 / 852			
Overall Width (ft-in/mm)	8-6 / 2591			
<b>TONGUE</b>				
Tongue Length 5'-2" (1575mm)	S			
Storage Tray with Lid	S			
Pintle Ring (in)	3			
High-Tensile Safety Chain	1/2" Grade 70			
Bolt-on Two-Speed Parking Jack	25K			
<b>FRAME / RAMPS</b>				
Main Beam	W16x26, Gr.50			
One-Piece Cold-Formed Frame Rails	S			
Side Rails (in x in x in)	8x2x1/4 Tubing			
Crossmembers	3" Jr I-beam			
Headboard Height (in/mm)	5.5 / 140			
Deck Length (ft/mm)	24+4 / 7315+1219			
Deck Material	2" nom. White Oak			
Deck Cushion Cylinder	S			
Deck Latch	Dual-Point			
Approach Ramp (in x in/mm)	18 / 457			
Load Angle (degrees) – depending on deck length	10			
D-Ring Tie Downs (Total/Side)	10 / 5			
<b>SUSPENSION / TIRES</b>				
Adjustable Hutch 9700 Spring Suspension	S			
No. of Axles	2			
Axle Capacity (each) (lbs/kg)	15,000 / 6804			
Axle Spread (in/mm)	49 / 1245			
Hubs	Oil Bath			
Brake Size (in/mm)	12.25x7.5 / 311x191			
Air Brakes (Full ABS Modulated, Park Brake All Axles)	N/A			
Electric Brakes	S			
Hub Piloted Budd Wheels (in/mm)	17.5x6.75 / 445x171			
Wheel Bolt Pattern	8-bolt			
Tires / Load Range Rating	215/75R17.5 / H			

**STANDARD EQUIPMENT**

- Adjustable hitch height
- 7-pole round electrical plug
- Weather resistant sealed modular wiring
- Grommet mounted LED lights
- Registration holder
- Rust inhibiting primer
- Durable, rust inhibiting top coat
- Die-cut UV resistant vinyl decals
- D.O.T. approved conspicuity tape
- Mud flaps
- Adjustable ramp width spacing
- Trailer color: Equipment black

**OPTIONAL EQUIPMENT**

- Rigid gooseneck
- Dual parking jacks
- Additional stationary deck length
- Additional tie-downs
- Tire upgrade (235/75R17.5)
- Spare tire and wheel mount
- Spare tire and wheel
- Color options: Construction Yellow, Equipment Red, Blue, Charcoal
- Galvanizing



Other options may be available. Ask your dealer or visit our website.

\*Payload capacity is calculated by taking the GVWR and subtracting the trailer weight. Listed GVWR, weights, and dimensions are for reference only. Manufacturer reserves the right to change models and specifications as they see fit. See our web site or your local authorized dealer for more information.