

T-12T / T-14T / T-16T



The Towmaster® deck-over tilt trailers offer convenience and durability. There are no ramps to hassle with, simply tilt the deck, drive on or off and level the deck back down. It features our patented automatic kick-out ramp that doubles as an under-ride protection bumper, a single-lever twin-latch system, and adjustable hitch. This model has rubber-ride axles with single-wheel for a smooth pull. A deck cushion cylinder eases the deck back into transport position and prevents equipment from slamming the deck down. Optional stationary deck is available.



Patented automatic kick-out ramp doubles as under-ride protection.



Cushion cylinder controls deck from slamming when loading or unloading equipment.



Optional 4-foot stationary deck adds room for longer equipment and makes towing easier.

Quick Specs:

- 32.5" deck height (loaded)
- 8'-6" deck width
- 20' tilt deck
- Electric brakes
- D-ring tie-downs
- Torflex® suspension axles
- Kick-out ramp/under-ride protection
- Single-lever twin-latch locking system
- LED lights



Photos may show optional equipment.

AMERICA'S BEST BUILT TRAILERS FOR PROFESSIONAL HAULERS



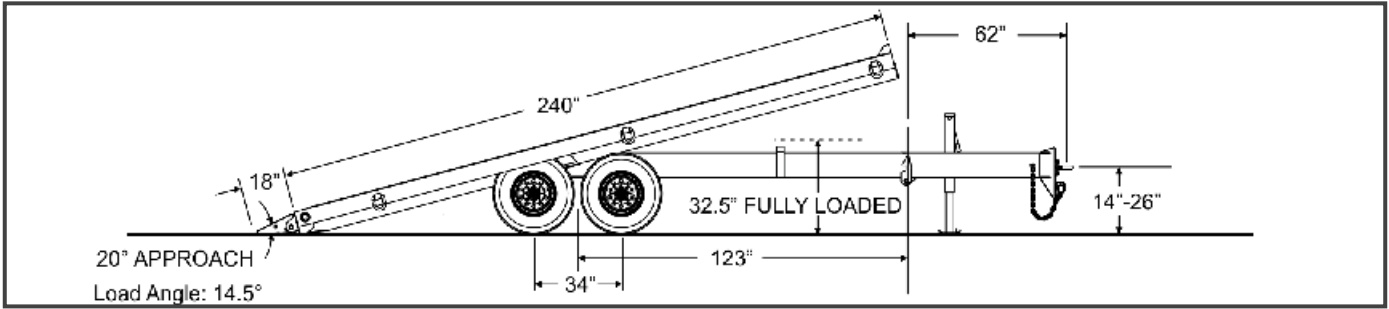
800-462-4517
TOWMASTER.COM



**GALVANIZING
AVAILABLE**



MORE MODELS • MORE OPTIONS • MORE CHOICES
DROP-DECK • TILT BED • DECK-OVER • GOOSENECK • LOWBOY • HYDRAULIC TAIL



SPECIFICATIONS				
S=Standard O=Optional				
CAPACITY / DIMENSIONS	T-12T	T-14T	T-16T	
Payload Rating (lbs/kg)	12,000 / 5443	14,000 / 6350	16,000 / 7257	
GVWR (lbs/kg)	17,560 / 7965	19,560 / 8872	22,460 / 10,187	
GAWR (lbs/kg)	14,000 / 6350	14,400 / 6531	16,000 / 7257	
Approx. Avg. Weight (lbs/kg)	5,560 / 2521	5,560 / 2521	6,460 / 2930	
Overall Length (ft-in/mm)	29-8 / 9042	29-8 / 9042	29-8 / 9042	
Deck Height (loaded)(in/mm)	32.5 / 826	32.5 / 826	32.5 / 826	
Overall Width (ft-in/mm)	8-6 / 2591	8-6 / 2591	8-6 / 2591	
TONGUE				
Tongue Length 5'-2" (1575mm)	S	S	S	
Storage Tray with Lid	S	S	S	
Pintle Ring (in)	3	3	3	
High-Tensile Safety Chain	3/8" Grade 43	3/8" Grade 43	3/8" Grade 70	
Bolt-on Two-Speed Parking Jack	12K	12K	12K	
FRAME / RAMPS				
Main Beam	W10x12, Gr.50	W10x12, Gr.50	W10x17, Gr.50	
One-Piece Cold-Formed Frame Rails	S	S	S	
Channel Side Rails	C6x8.2	C6x8.2	C6x8.2	
Crossmembers	3" Jr I-beam	3" Jr I-beam	3" Jr I-beam	
Headboard Height (in / mm)	5.5 / 140	5.5 / 140	5.5 / 140	
Deck Length (ft/mm)	20 / 6096	20 / 6096	20 / 6096	
Deck Material	2" nom. White Oak	2" nom. White Oak	2" nom. White Oak	
Deck Cushion Cylinder	S	S	S	
Deck Latch	Dual-Point	Dual-Point	Dual-Point	
Approach Ramp (in x in/mm)	18 / 457	18 / 457	18 / 457	
Load Angle (degrees)	14.5	14.5	14.5	
D-Ring Tie Downs (Total / Side)	8 / 4	8 / 4	8 / 4	
SUSPENSION / TIRES				
Rubber-ride suspension	S	S	S	
Axle Capacity (each) (lbs/kg)	7,000 / 3175	7,200 / 3266	8,000 / 3629	
Axle Spread (in/mm)	34 / 864	34 / 864	34 / 864	
Hubs	EZ Lube	EZ Lube	EZ Lube	
Brake Size (in/mm)	12x2 / 305x51	12x2 / 305x51	12.25x3.38 / 311x86	
Electric Brakes w/Battery Break-Away Kit and Charger	S	S	S	
Wheels (in/mm)	16x6 / 406x152	17.5x6.75 / 445x171	17.5x6.75 / 445x171	
Wheel Bolt Pattern	8-bolt	8-bolt	8-bolt	
Tires / Load Range Rating	235/85R16 / E	215/75R17.5 / H	215/75R17.5 / H	

STANDARD EQUIPMENT

- Adjustable hitch height
- 7-pole round electrical plug
- Weather resistant sealed modular wiring
- Grommet mounted LED lights
- Registration holder
- Rust inhibiting primer
- Durable, rust inhibiting top coat
- Die-cut UV resistant vinyl decals
- D.O.T. approved conspicuity tape
- Mud flaps
- Adjustable ramp width spacing
- Trailer color: Equipment black
- Ramp color: Equipment Red

OPTIONAL EQUIPMENT

- Gooseneck
- Stationary deck
- 6-pole round electrical plug
- Additional tie-downs
- Spare tire and wheel mount
- Spare tire and wheel
- Color options: Construction Yellow, Equipment Red, Blue, Charcoal
- Galvanizing



Other options may be available. Ask your dealer or visit our website.

*Payload capacity is calculated by taking the GVWR and subtracting the trailer weight. Listed GVWR, weights, and dimensions are for reference only. Manufacturer reserves the right to change models and specifications as they see fit. See our web site or your local authorized dealer for more information.