



Get great value with the TC-series by Towmaster®. These models are built on heavy-duty I-beam frames and feature the basics you need without breaking your budget; adjustable hitch, slipper-spring suspension, off-the-ground spring-assist ramps, oak wood deck, sealed wiring, and LED lights.



Single-wheel tri-axle. 6K axles with spring-ride suspension.



Angle-iron beavertail and ramps provide excellent traction for loading and unloading.



One-way spring-assist ramps and grommet mounted LED lights.

### Quick Specs:

- 33.5" deck height (loaded)
- 8'-6" deck width
- 20' deck length
- Electric or air brakes
- D-ring tie-downs
- General-duty spring suspension
- 5' angle-iron beavertail
- One-way spring-assist ramps
- LED lights



Photos may show optional equipment.

## AMERICA'S BEST BUILT TRAILERS FOR PROFESSIONAL HAULERS



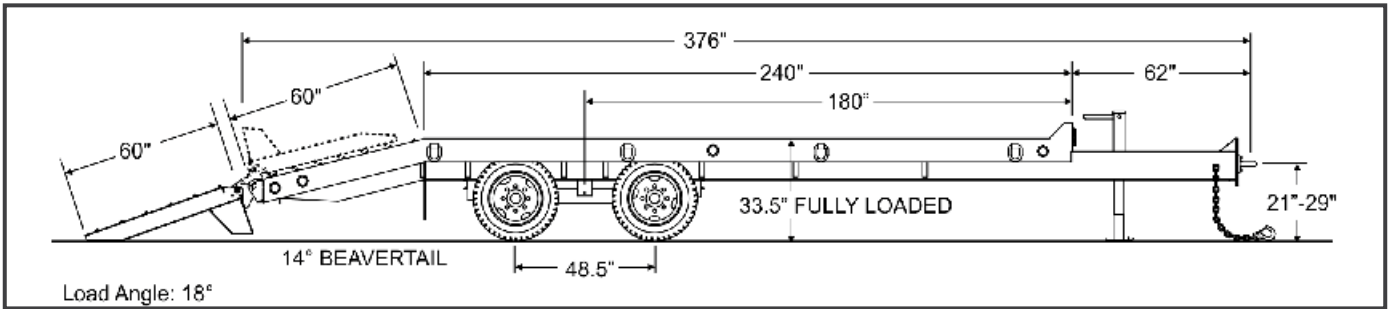
**800-462-4517**  
TOWMASTER.COM



**GALVANIZING  
AVAILABLE**



MORE MODELS • MORE OPTIONS • MORE CHOICES  
DROP-DECK • TILT BED • DECK-OVER • GOOSENECK • LOWBOY • HYDRAULIC TAIL



<b>SPECIFICATIONS</b>				
S=Standard O=Optional				
CAPACITY / DIMENSIONS	TC-20	TC-24		
Capacity Rating (lbs/kg)	19,000 / 8618	24,000 / 10,866		
GVWR (lbs/kg)	25,990 / 11,789	30,990 / 14,057		
GAWR (lbs/kg)	20,000 / 9072	24,000 / 10,866		
Approx. Weight (lbs/kg)	6,990 / 3171	6,990 / 3171		
Overall Length (ft-in/mm)	31-4 / 9550	31-4 / 9550		
Deck Height (loaded)(in/mm)	33.5 / 851	33.5 / 851		
Deck Length (ft-in/mm)	20-0 / 6096	20-0 / 6096		
Overall Width (ft-in/mm)	8-6 / 2591	8-6 / 2591		
<b>TONGUE</b>				
Tongue Length (ft-in/mm)	5-2 / 1575	5-2 / 1575		
Storage Tray with Lid	S	S		
3" Pintle Ring (in)	S	S		
High-Tensile Safety Chain (size – in)	3/8 Grade 70	1/2 Grade 70		
Bolt-on Drop-Leg Parking Jack	12K	12K		
<b>FRAME / RAMPS</b>				
Main Beam	W10 x 17, Gr. 50	W10, x 17 Gr. 50		
One-Piece Cold-Formed Frame Rails	S	S		
Crossmembers	3" Jr I-beam	3" Jr I-beam		
Headboard (in/mm)	5.5 / 140	5.5 / 140		
Channel Side Rails (in/mm)	8 / 203	8 / 203		
Deck Material	2" nom. White Oak	2" nom. White Oak		
Wood Protectors	O	O		
Forged D-Ring Tie Downs (total/Side)	8 / 4	8 / 4		
Beavertail (ft-in / mm) (angle-degrees)	5-0 / 1524 (14)	5-0 / 1524 (14)		
Ramps (ft-in x in/mm)	5-0 x 21 / 1524 x 533	5-0 x 21 / 1524 x 533		
Off-the-Ground Spring Assist	S	S		
<b>SUSPENSION / TIRES</b>				
Slipper-Spring Suspension	S	S		
No. of Axles	2	2		
Axle Capacity (each) (lbs/kg)	10,000 / 4536	12,000 / 5443		
Axle Spread (in/mm)	48.5 / 1232	48.5 / 1232		
Hubs	Oil Bath	Oil Bath		
Electric Brakes	S	S		
Brake Size (in/mm)	12.25x4 / 311x102	12.25x5 / 311x127		
Air Brakes (Full ABS Modulated, Park Brake All Axles)	O	O		
Hub Piloted Budd-type Wheels (in/mm)	16x6 / 406x152	16x6 / 406x152		
Wheel Bolt Pattern	8-bolt	8-bolt		
Tires / Load Range Rating	235/85R16 / E	235/85R16 / E		

**STANDARD EQUIPMENT**

- Adjustable hitch height
- RV electrical plug
- Weather resistant sealed modular wiring
- Grommet mounted LED lights
- Registration holder
- Rust inhibiting primer
- Durable, rust inhibiting top coat
- Die-cut UV resistant vinyl decals
- D.O.T. approved conspicuity tape
- Mud flaps
- Adjustable ramp width spacing
- Trailer color: Equipment black
- Ramp color: Equipment Red

**OPTIONAL EQUIPMENT**

- Gooseneck
- 25K two-speed parking jack
- Dual parking jacks
- Additional deck length
- Storage tray lid
- 12K electric winch
- Additional tie-downs
- Rub rail with stake pockets
- Deck wood protectors
- Spare tire and wheel mount
- Spare tire and wheel
- Tire upgrade (load G)
- Double-break beavertail
- Several ramp options
- Color options: Construction Yellow, Equipment Red, Blue, Charcoal
- Galvanizing



Other options may be available. Ask your dealer or visit our website.

\*Payload capacity is calculated by taking the GVWR and subtracting the trailer weight.  
 Listed GVWR, weights, and dimensions are for reference only. Manufacturer reserves the right to change models and specifications as they see fit. See our web site or your local authorized dealer for more information.