



This economical trailer is great for mid-sized equipment. Built on the Towmaster® I-beam frame, this trailer features 3-inch I-beam crossmembers, 8'-6" wide deck, 5-foot angle-iron beavertail and 5-foot one-way spring assist ramps. The TC-18-3 is a single-wheel tri-axle trailer. Sealed wiring and grommet mounted LED lights are standard.



Single-wheel tri-axle. 6K axles with spring-ride suspension.



Angle-iron beavertail and ramps provide excellent traction for loading and unloading.



One-way spring-assist ramps and grommet mounted LED lights.

Quick Specs:

- 33" deck height (loaded)
- 8'-6" deck width
- 20' deck length
- Electric brakes
- D-ring tie-downs
- Spring suspension
- 5' angle-iron beavertail
- One-way spring-assist ramps
- LED lights



Photos may show optional equipment.

AMERICA'S BEST BUILT TRAILERS FOR PROFESSIONAL HAULERS



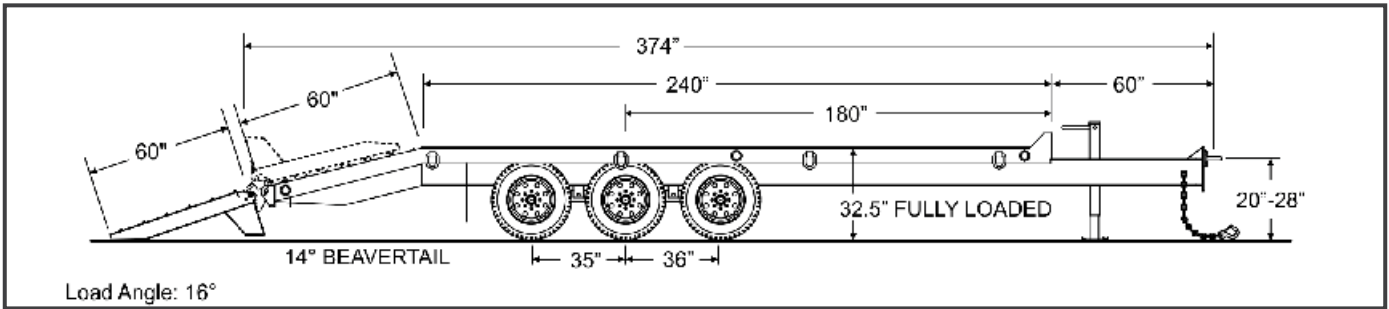
800-462-4517
TOWMASTER.COM



GALVANIZING
AVAILABLE



MORE MODELS • MORE OPTIONS • MORE CHOICES
DROP-DECK • TILT BED • DECK-OVER • GOOSENECK • LOWBOY • HYDRAULIC TAIL



| SPECIFICATIONS | | | | |
|---|-----------------------|--|--|--|
| S=Standard O=Optional | | | | |
| TC-18-3 | | | | |
| CAPACITY / DIMENSIONS | | | | |
| Capacity Rating (lbs/kg) | 18,000 / 8165 | | | |
| GVWR (lbs/kg) | 24,200 / 10,977 | | | |
| GAWR (lbs/kg) | 18,000 / 8165 | | | |
| Approx. Weight (lbs/kg) | 6,200 / 2812 | | | |
| Deck Length (ft-in/mm) | 20-0 / 6096 | | | |
| Overall Length (ft-in/mm) | 31-2 / 9500 | | | |
| Deck Height (loaded)(in/mm) | 32.5 / 826 | | | |
| Overall Width (ft-in/mm) | 8-6 / 2591 | | | |
| TONGUE | | | | |
| Tongue Length (ft-in/mm) | 5-0 / 1524 | | | |
| Storage Tray | S | | | |
| Storage Tray Lid | O | | | |
| Pintle Ring (in) | 3" | | | |
| High-Tensile Safety Chain (size - in) | 3/8 Grade 70 | | | |
| Bolt-on Drop-Leg Parking Jack | 12K | | | |
| FRAME / RAMPS | | | | |
| Main Beam | W10 x 17, Gr. 50 | | | |
| One-Piece Cold-Formed Frame Rails | S | | | |
| Crossmembers | 3" Jr I-beam | | | |
| Headboard (in/mm) | 5.5 / 140 | | | |
| Channel Side Rails (in/mm) | 6 / 152 | | | |
| Deck Material | 2" nom. White Oak | | | |
| Tie Downs | D-rings | | | |
| Tie Downs (Total/Side) | 8 / 4 | | | |
| Beavertail (ft-in / mm) (angle-degrees) | 5-0 / 1524 (14) | | | |
| Beavertail Type | Angle-Iron | | | |
| Ladder Style Ramps (ft-in x in/mm) | 5-0 x 21 / 1524 x 533 | | | |
| Off-the-Ground Spring Assist | S | | | |
| SUSPENSION / TIRES | | | | |
| Slipper Spring Suspension | S | | | |
| No. of Axles | 3 | | | |
| Axle Capacity (each) (lbs/kg) | 6,000 / 2722 | | | |
| Axle Spread (in/mm) | 36 / 914 | | | |
| Hubs | Standard Lube | | | |
| Electric Brakes w/Forward Adjust | S | | | |
| Battery Break-Away Kit w/Tow Charger | S | | | |
| Brake Size (in/mm) | 12x2 / 305x51 | | | |
| Wheels (in/mm) | 16x6 / 406x152 | | | |
| Wheel Bolt Pattern | 6-bolt | | | |
| Tires / Load Range Rating | 235/85R16 / E | | | |

STANDARD EQUIPMENT

- Adjustable hitch height
- RV electrical plug
- Weather resistant sealed modular wiring
- Grommet mounted LED lights
- Registration holder
- Rust inhibiting primer
- Durable, rust inhibiting top coat
- Die-cut UV resistant vinyl decals
- D.O.T. approved conspicuity tape
- Mud flaps
- Adjustable ramp width spacing
- Trailer color: Equipment black
- Ramp color: Equipment Red

OPTIONAL EQUIPMENT

- 2-5/16 ball coupler
- Gooseneck
- 6-pole round electrical plug
- Storage tray lid
- 8K electric winch
- Additional tie-downs
- D-ring tie-downs
- E-Z Lube hubs
- Spare tire and wheel mount
- Spare tire and wheel
- Ramp lift springs
- Several ramp options
- Color options: Construction Yellow, Equipment Red, Blue, Charcoal
- Galvanizing



Other options may be available. Ask your dealer or visit our website.

*Payload capacity is calculated by taking the GVWR and subtracting the trailer weight. Listed GVWR, weights, and dimensions are for reference only. Manufacturer reserves the right to change models and specifications as they see fit. See our web site or your local authorized dealer for more information.