

T-10HD / T-12HD / T-14HD

Our hydraulic dump trailers are perfect for hauling your skid-loader to the job site, carrying dirt, sand or debris, then hauling your skid-loader back home. These trailers feature a power-up/gravity-down hydraulic hoist, stake pockets and D-ring tie-downs, three-way double-door rear gate, and storable ramps. Several features are standard and you can customize it with many options.



Three-way double-doors open to the side, down, or swings open from the bottom.



Ladder-style ramps for loading equipment, stored under dump body.



Poly storage box houses hydraulic system with room for chains, straps or tools.

Quick Specs:

- 25" deck height
- 82" wide box
- 12', 14' or 16' dump body
- 24" box height
- Tarp securement rod
- Electric brakes
- Spring suspension
- Power up/gravity down hoist
- Three-way double-door rear gate



Photos may show optional equipment.

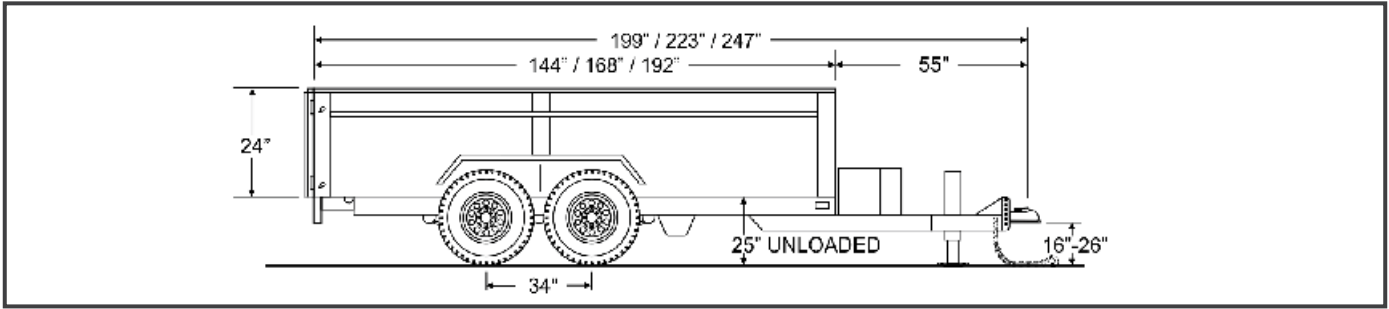
AMERICA'S BEST BUILT TRAILERS FOR PROFESSIONAL HAULERS



800-462-4517
TOWMASTER.COM



MORE MODELS • MORE OPTIONS • MORE CHOICES
DROP-DECK • TILT BED • DECK-OVER • GOOSENECK • LOWBOY • HYDRAULIC TAIL


SPECIFICATIONS

S=Standard O=Optional

CAPACITY / DIMENSIONS	T-10HD	T-12HD	T-14HD
Payload Rating (lbs/kg)	10,000 / 4535	12,000 / 5443	14,000 / 6350
GVWR (minimum - varies by deck length) (lbs/kg)	13,700 / 6214	15,700 / 7121	17,800 / 8074
GAWR (lbs/kg)	14,000 / 6350	14,000 / 6350	16,400 / 6532
Weight (12'-0" / 3658) (lbs/kg)	3,700 / 1678	3,700 / 1678	3,800 / 1724
Weight (14'-0" / 4267) (lbs/kg)	4,300 / 1950	4,300 / 1950	4,400 / 1996
Weight (16'-0" / 4877) (lbs/kg)	4,900 / 2223	4,900 / 2223	5,000 / 2268
Weight (18'-0" / 5486) (lbs/kg)	N/A	N/A	5,600 / 2540
Deck Height (empty)(in/mm)	25 / 635	25 / 635	25 / 635
Overall Width (ft-in/mm)	8-6 / 2591	8-6 / 2591	8-6 / 2591
Load Width (in/mm)	82 / 2083	82 / 2083	82 / 2083
TONGUE			
Tongue Length (ft-in/mm)	4'-7" / 1397	4'-7" / 1397	4'-7" / 1397
Ball Coupler (in)	2-5/16	2-5/16	2-5/16
Safety Chain	3/8" Grade 43	3/8" Grade 43	3/8" Grade 43
Bolt-on Drop-Leg Parking Jack	12K	12K	12K
Poly Storage Box	S	S	S
FRAME / RAMPS			
Main Frame	4x6 Tube	4x6 Tube	4x6 Tube
Dump Body Height (in / mm)	24 / 610	24 / 610	24 / 610
7 ga. Steel Floor, 10 ga. Steel Sides	S	S	S
Ramps with Ramp Storage	S	S	S
Scissor Hoist (Tons)	6	6	7
Power-Up / Gravity-Down	S	S	S
Dump Angle (degrees)	55	55	55
Rear Gate	3-Way Double Doors	3-Way Double Doors	3-Way Double Doors
Forged D-Rings (Total)	4	4	4
Stake Pockets (Total)	10	10	10
SUSPENSION / TIRES			
Spring Axles w/Warranty	S	S	S
Axle Capacity (each) (lbs/kg)	7,000 / 3175	7,000 / 3175	8,000 / 3266
Axle Spread (in/mm)	34 / 864	34 / 864	34 / 864
Hubs	E-Z Lube	E-Z Lube	E-Z Lube
Electric Brakes w/Forward Adjust	S	S	S
Brake Size (in/mm)	12x2 / 305x51	12x2 / 305x51	12.25x3.38 / 311x86
Battery Break-Away Kit with Tow Charger	S	S	S
Wheels (in/mm)	16x6 / 406x152	16x6 / 406x152	17.5x6.75 / 445x171
Wheel Bolt Pattern	8-bolt	8-bolt	8-bolt
Tires / Load Range Rating	235/80R16 / E	235/80R16 / E	215/75R17.5 / H

STANDARD EQUIPMENT

- Adjustable hitch height
- RV electrical plug
- Weather resistant sealed modular wiring
- Grommet mounted LED lights
- Rust inhibiting primer
- Durable, rust inhibiting top coat
- Die-cut UV resistant vinyl decals
- D.O.T. approved conspicuity tape
- Mud flaps
- Adjustable ramp width spacing
- Trailer color: Equipment black

OPTIONAL EQUIPMENT

- Hydraulic surge brakes
- Pintle ring
- 6-pole round electrical plug
- Hydraulic parking jack
- A-frame Gooseneck
- Swing-away side panel
- 84" wide bed
- 45" sides
- Additional stake pockets
- Additional D-rings
- Roll tarp system
- 7-ton or 9-ton hoist (model specific)
- Pallet fork holders
- Drop-leg load stands
- Tri-swing gate
- Hydraulic parking jack
- 5'-0" landscape gate
- Torsion axle upgrade
- Tri-axle option
- Tire upgrade
- Spare tire and wheel
- Spare tire mount
- Wireless remote
- Color options: Construction Yellow, Equipment Red, Blue, Charcoal
- Galvanizing

Other options may be available. Ask your dealer or visit our website.



*Payload capacity is calculated by taking the GVWR and subtracting the trailer weight.
 Listed GVWR, weights, and dimensions are for reference only. Manufacturer reserves the right to change models and specifications as they see fit. See our web site or your local authorized dealer for more information.

towmaster.com
800-462-4517
 ©Monroe Towmaster, LLC - 0218