

T-9HD



The T-9HD trailer is designed for smaller jobs. It's great for the hauling needs of the light-duty general contractor, rental business, or landscaper. Several dump body sizes are available to haul dirt, sand, debris, or other materials. Our T-9HD features a power-up/gravity-down hydraulic hoist, stake pockets, barn-door rear gate, and steel storage box for the hydraulic pump. Power from the vehicle is not required. Many options are available.



Barn-door style rear gate can be attached in place with a cable to keep them out of the way when lifting dump bed.



Ladder-style ramps are standard and are stored under the bed.



Built-in storage box houses hydraulic system with room for chains, straps or tools.

Quick Specs:

- 26" deck height
- 24" box height
- 82" wide box
- Barn door rear gate
- 10' or 12' dump body lengths
- Electric brakes
- Spring suspension
- Power up/gravity down hoist
- LED lights and sealed wiring



Photos may show optional equipment.

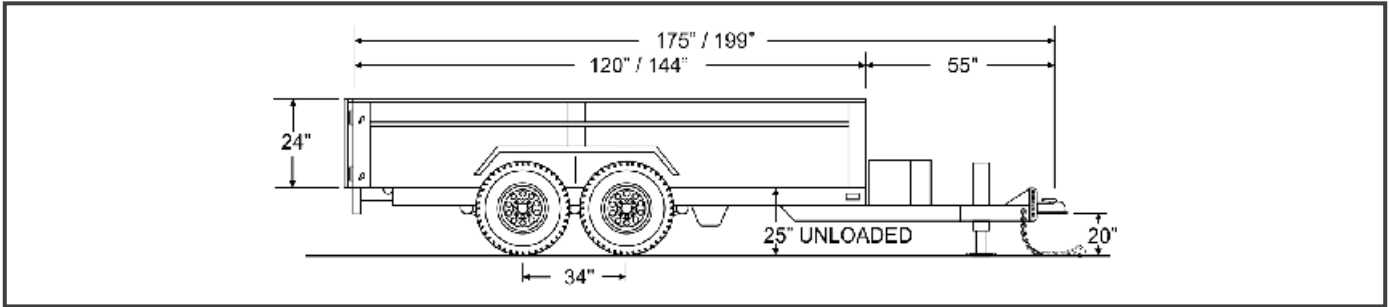
AMERICA'S BEST BUILT TRAILERS FOR PROFESSIONAL HAULERS



800-462-4517
TOWMASTER.COM



MORE MODELS • MORE OPTIONS • MORE CHOICES
DROP-DECK • TILT BED • DECK-OVER • GOOSENECK • LOWBOY • HYDRAULIC TAIL



| SPECIFICATIONS | | | | |
|---|-----------------|--|--|--|
| S=Standard O=Optional | | | | |
| T-9HD | | | | |
| CAPACITY / DIMENSIONS | | | | |
| *Payload Rating (starting at) (lbs/kg) | 7,300 / 3311 | | | |
| GVWR (lbs/kg) | 9,990 / 4531 | | | |
| GAWR (lbs/kg) | 10,400 / 4717 | | | |
| Weight (10'-0" / 3048) (lbs/kg) | 2,600 / 1179 | | | |
| Weight (12'-0" / 3658) (lbs/kg) | 2,700 / 1225 | | | |
| Deck Height (empty)(in/mm) | 25 / 635 | | | |
| Overall Width (ft-in/mm) | 8-6 / 2591 | | | |
| Load Width (in/mm) | 82 / 2083 | | | |
| TONGUE | | | | |
| Tongue Length (ft-in/mm) | 4'-7" / 1397 | | | |
| Ball Coupler (in) | 2-5/16 | | | |
| Safety Chain | 3/8" Grade 43 | | | |
| Bolt-on Top-Wind Parking Jack | 5K | | | |
| FRAME / RAMPS | | | | |
| Main Frame | 4x6 Tube | | | |
| Steel Cargo Box (height)(in / mm) | 24 / 610 | | | |
| 11 ga. Steel Floor and Sides | S | | | |
| Ramps with Ramp Storage | S | | | |
| Scissor Hoist | S | | | |
| Power-Up / Gravity Down | S | | | |
| Dump Angle (degrees) | 45 | | | |
| Rear Gate | Barn Door | | | |
| Forged D-Rings (Total / Side) | 2 / 4 | | | |
| Stake Pockets (Total) | 6 | | | |
| SUSPENSION / TIRES | | | | |
| Spring Axle w/Warranty | S | | | |
| Axle Capacity (each) (lbs/kg) | 5,200 / 2359 | | | |
| Axle Spread (in/mm) | N/A | | | |
| Hubs | Greaseable | | | |
| Electric Brakes w/Forward Adjust | S | | | |
| Brake Size (in/mm) | 12x2 / 305x51 | | | |
| Battery Break-Away Kit with Tow Charger | S | | | |
| Wheels (in/mm) | 15x6 / 381x152 | | | |
| Wheel Bolt Pattern | 8-bolt | | | |
| Tires / Load Range Rating | ST225/75R15 / D | | | |

STANDARD EQUIPMENT

- Adjustable hitch height
- RV electrical plug
- Weather resistant sealed modular wiring
- Grommet mounted LED lights
- Rust inhibiting primer
- Durable, rust inhibiting top coat
- Die-cut UV resistant vinyl decals
- D.O.T. approved conspicuity tape
- Adjustable ramp width spacing
- Trailer color: Equipment black

OPTIONAL EQUIPMENT

- Hydraulic surge brakes
- Pintle ring
- 6-pole round electrical plug
- Hydraulic parking jack
- A-frame Gooseneck
- Additional stake pockets
- Additional D-rings
- Roll tarp system
- Torsion axle upgrade
- Mud flaps
- Spare tire and wheel
- Spare tire mount
- Wireless remote
- Color options: Construction Yellow, Equipment Red, Blue, Charcoal
- Galvanizing



Other options may be available. Ask your dealer or visit our website.

*Payload capacity is calculated by taking the GVWR and subtracting the trailer weight. Listed GVWR, weights, and dimensions are for reference only. Manufacturer reserves the right to change models and specifications as they see fit. See our web site or your local authorized dealer for more information.