

T-5HD



The T-5HD trailer is great for the hauling needs of the light-duty general contractor, rental business, or landscaper. Several dump body sizes are available to haul dirt, sand, debris, or other materials. Towmaster's T-5HD features a power-up/power-down single-hydraulic cylinder, stake pockets, tri-swing rear gate, and steel storage box for the hydraulic pump.

Power from the vehicle is not required.

Many options are available.



Tri-swing rear gate opens to the side, down from the top, or swings open from the bottom.



Optional ladder-style ramps for loading equipment, stored above fender.



Built-in storage box houses hydraulic system with room for chains, straps or tools.

Quick Specs:

- 26" deck height
- 60" wide box
- 8' or 10' dump body lengths
- 16" box height
- Tarp securement rod
- Electric brakes
- Spring suspension
- Power up/power down cylinder
- LED lights and sealed wiring



Photos may show optional equipment.

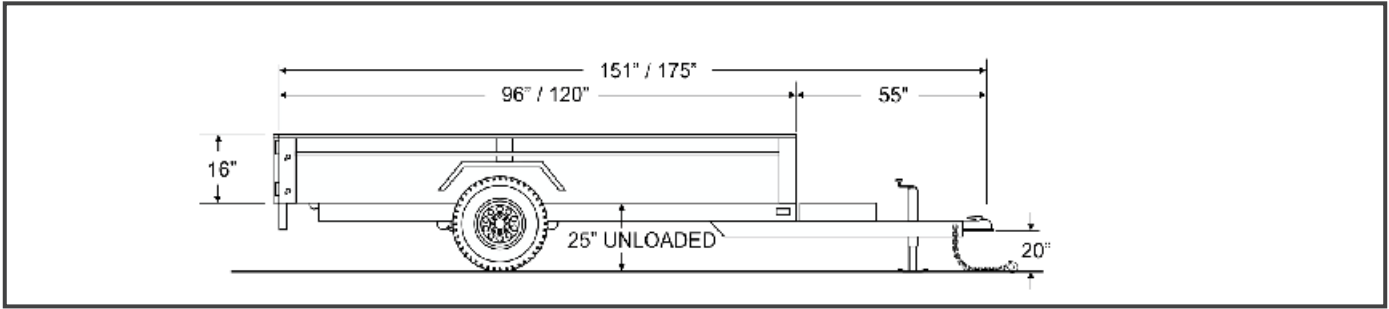
AMERICA'S BEST BUILT TRAILERS FOR PROFESSIONAL HAULERS



800-462-4517
TOWMASTER.COM



MORE MODELS • MORE OPTIONS • MORE CHOICES
DROP-DECK • TILT BED • DECK-OVER • GOOSENECK • LOWBOY • HYDRAULIC TAIL


SPECIFICATIONS
S=Standard O=Optional
T-5HD
CAPACITY / DIMENSIONS

*Payload Rating (starting at) (lbs/kg)	5,000 / 2268			
GVWR (8') (lbs/kg)	6,500 / 2948			
GVWR (10') (lbs/kg)	6,700 / 3039			
GAWR (lbs/kg)	5,200 / 2359			
Weight (8'-0" / 2438) (lbs/kg)	1,500 / 1270			
Weight (10'-0" / 3048) (lbs/kg)	1,700 / 1542			
Deck Height (empty)(in/mm)	25 / 635			
Overall Width (ft-in/mm)	6-8 / 2032			
Load Width (in/mm)	60 / 1524			

TONGUE

Tongue Length (ft-in/mm)	4'-7" / 1397			
Ball Coupler (in)	2-5/16			
Safety Chain	3/8" Grade 43			
Bolt-on Top-Wind Parking Jack	5K			

FRAME / RAMPS

Main Frame	4x6 Tube			
Headboard Height (in / mm)	16 / 406			
Steel Cargo Box (height)(in / mm)	16 / 406			
11 ga. Steel Floor and Sides	S			
Ramps with Ramp Storage	O			
Single Lift Cylinder Hoist	S			
Power-Up / Power-Down	S			
Dump Angle (degrees)	45			
Rear Gate	Tri-Swing			
Forged D-Rings (Total / Side)	O			
Stake Pockets (Total)	6			

SUSPENSION / TIRES

Spring Axle w/Warranty	S			
Axle Capacity (each) (lbs/kg)	5,200 / 2359			
Axle Spread (in/mm)	N/A			
Hubs	Greaseable			
Electric Brakes w/Forward Adjust	S			
Brake Size (in/mm)	12x2 / 305x51			
Battery Break-Away Kit with Tow Charger	S			
Wheels (in/mm)	15x6 / 381x152			
Wheel Bolt Pattern	8-bolt			
Tires / Load Range Rating	ST225/75R15 / D			

STANDARD EQUIPMENT

- Adjustable hitch height
- RV electrical plug
- Weather resistant sealed modular wiring
- Grommet mounted LED lights
- Rust inhibiting primer
- Durable, rust inhibiting top coat
- Die-cut UV resistant vinyl decals
- D.O.T. approved conspicuity tape
- Mud flaps
- Adjustable ramp width spacing
- Trailer color: Equipment black

OPTIONAL EQUIPMENT

- Hydraulic surge brakes
- Pintle ring
- 6-pole round electrical plug
- Hydraulic parking jack
- A-frame Gooseneck
- 24" sides
- Additional stake pockets
- D-rings
- Roll tarp system
- Ramps and ramp storage
- Torsion axle upgrade
- Spare tire and wheel
- Spare tire mount
- Wireless remote
- Color options: Construction Yellow, Equipment Red, Blue, Charcoal
- Galvanizing



Other options may be available. Ask your dealer or visit our website.

*Payload capacity is calculated by taking the GVWR and subtracting the trailer weight.
 Listed GVWR, weights, and dimensions are for reference only. Manufacturer reserves the right to change models and specifications as they see fit. See our web site or your local authorized dealer for more information.