

### T-9P / T-10P / T-12P

This is the original skid-loader trailer from Towmaster. The Pan trailer features a low deck height for hauling smaller equipment and skid-loaders. The taller sides also let you haul small loads of dirt, sand, gravel, sod or debris. The Pan trailer is built on a special frame with I-beam tongue and 3-inch I-beam cross-members. The deck floor is oak wood with a steel floor available as an option. Our patented Auto-Latch® ramp hold-ups are standard.



Patented Auto-Latch® ramp hold-ups and LED lights are standard.



Oak wood deck is standard. Steel deck with traction aid is optionally available.



"SL" ramp option gives a lower load angle for special equipment like scissor lifts and other small-wheeled vehicles.

#### Quick Specs:

- 2" nom. white oak deck
- 14', 16', 18', or 20' deck
- One-piece formed fender and inner panel
- 15" deck height (loaded)
- Dexter® Torflex® axles
- Auto-Latch® ramp hold-ups
- 77" between fenders
- Forward adjusting elec. brakes
- Grommet mounted LED lights



Photos may show optional equipment.

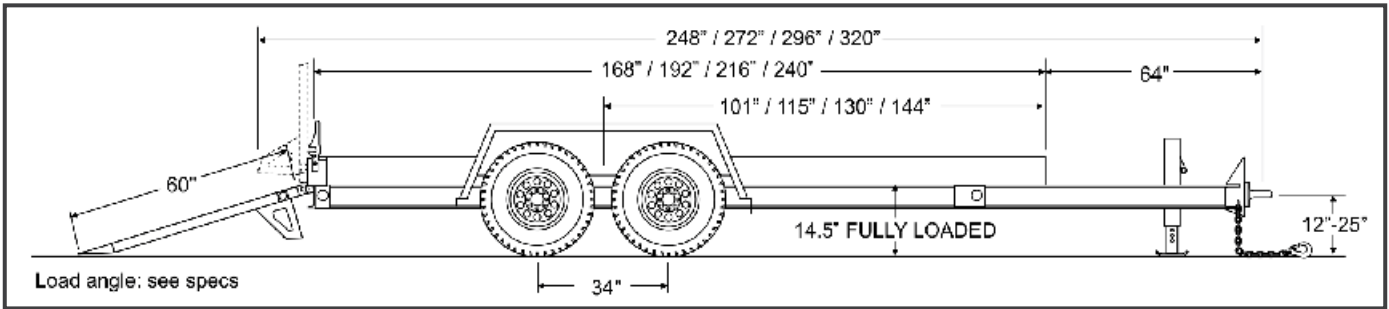
## AMERICA'S BEST BUILT TRAILERS FOR PROFESSIONAL HAULERS



**800-462-4517**  
TOWMASTER.COM



MORE MODELS • MORE OPTIONS • MORE CHOICES  
DROP-DECK • TILT BED • DECK-OVER • GOOSENECK • LOWBOY • HYDRAULIC TAIL


**SPECIFICATIONS**

S=Standard O=Optional

CAPACITY / DIMENSIONS	T-9P	T-10P	T-12P
Payload Rating (lbs/kg)	6,890 / 3125	10,000 / 4536	12,000 / 5443
GVWR (lbs/kg)	9,990 / 4531	13,100 / 5942	15,100 / 6849
GAWR (lbs/kg)	14,000 / 6350	14,000 / 6350	14,000 / 6350
Approx. Avg. Weight (lbs/kg)	3,100 / 1406	3,100 / 1406	3,100 / 1406
Overall Length – 14' (ft-in/mm)	20-8 / 6299	20-8 / 6299	20-8 / 6299
Overall Length – 16' (ft-in/mm)	22-8 / 6909	22-8 / 6909	22-8 / 6909
Overall Length – 18' (ft-in/mm)	24-8 / 7518	24-8 / 7518	24-8 / 7518
Overall Length – 20' (ft-in/mm)	26-8 / 8128	26-8 / 8128	26-8 / 8128
Deck Height (loaded)(in/mm)	14.5 / 368	14.5 / 368	14.5 / 368
Overall Width (ft-in/mm)	8-6 / 2591	8-6 / 2591	8-6 / 2591
Load Width (in/mm)	77 / 1956	77 / 1956	77 / 1956
<b>TONGUE</b>			
Tongue Length 5'-0" (1524mm)	S	S	S
I-beam Tongue	S	S	S
Pintle Ring (in)	2.5	2.5	2.5
3/8" High-Tensile Safety Chain x 40"	Grade 43	Grade 43	Grade 43
Bolt-on Drop-Leg Parking Jack	7K	7K	7K
<b>FRAME / RAMPS</b>			
Main Frame	Fabricated	Fabricated	Fabricated
Crossmembers	3" Jr I-beam	3" Jr I-beam	3" Jr I-beam
Headboard Height (in / mm)	7 / 178	7 / 178	7 / 178
Deck	2" nom. White Oak	2" nom. White Oak	2" nom. White Oak
Deck Lip (in / mm)	7 / 178	7 / 178	7 / 178
12 ga. One-piece formed fenders and inner panel	S	S	S
Ramps Length x Width (ft-in x in/mm)	5-0x16 / 1524x406	5-0x16 / 1524x406	5-0x16 / 1524x406
Load Angle (degrees)	15	15	15
Ramp Spring-Assist	S	S	S
Ramp Hold-ups	Auto-Latch	Auto-Latch	Auto-Latch
Tie Downs	D-ring	D-ring	D-ring
Number of Tie-Downs (Total / Side)	8 / 4	8 / 4	8 / 4
<b>SUSPENSION / TIRES</b>			
Rubber-Ride Axles w/Warranty	S	S	S
Axle Capacity (each) (lbs/kg)	7,000 / 3175	7,000 / 3175	7,000 / 3175
Axle Spread (in/mm)	34 / 864	34 / 864	34 / 864
Hubs	E-Z Lube	E-Z Lube	E-Z Lube
Electric Brakes w/Forward Adjust	S	S	S
Brake Size (in/mm)	12x2 / 305x51	12x2 / 305x51	12x2 / 305x51
Battery Break-Away Kit with Tow Charger	S	S	S
Wheels (in/mm)	16x6 / 406x152	16x6 / 406x152	16x6 / 406x152
Wheel Bolt Pattern	8-bolt	8-bolt	8-bolt
Tires / Load Range Rating	235/85R16 / E	235/85R16 / E	235/85R16 / E

**STANDARD EQUIPMENT**

- Adjustable hitch height
- RV electrical plug
- Weather resistant sealed modular wiring
- Grommet mounted LED lights
- Registration holder
- Rust inhibiting primer
- Durable, rust inhibiting top coat
- Die-cut UV resistant vinyl decals
- D.O.T. approved conspicuity tape
- Mud flaps
- Adjustable ramp width spacing
- Trailer color: Equipment black
- Ramp color: Equipment red

**OPTIONAL EQUIPMENT**

- Hydraulic surge brakes
- 3" pintle ring or 2-5/16" ball coupler
- Gooseneck hitch
- 6-pole round electrical plug
- Storage tray lid
- Pallet fork holders
- 12K electric winch
- Additional tie-downs
- Steel deck
- Spare tire and wheel mount
- Spare tire and wheel
- "SL" ramp option for scissor lifts
- Several ramp options available
- Color options: Construction Yellow, Equipment Red, Blue, Charcoal
- Galvanizing



Other options may be available. Ask your dealer or visit our website.

\*Payload capacity is calculated by taking the GVWR and subtracting the trailer weight.  
 Listed GVWR, weights, and dimensions are for reference only. Manufacturer reserves the right to change models and specifications as they see fit. See our web site or your local authorized dealer for more information.

towmaster.com  
**800-462-4517**  
 ©Monroe Towmaster, LLC - 0218