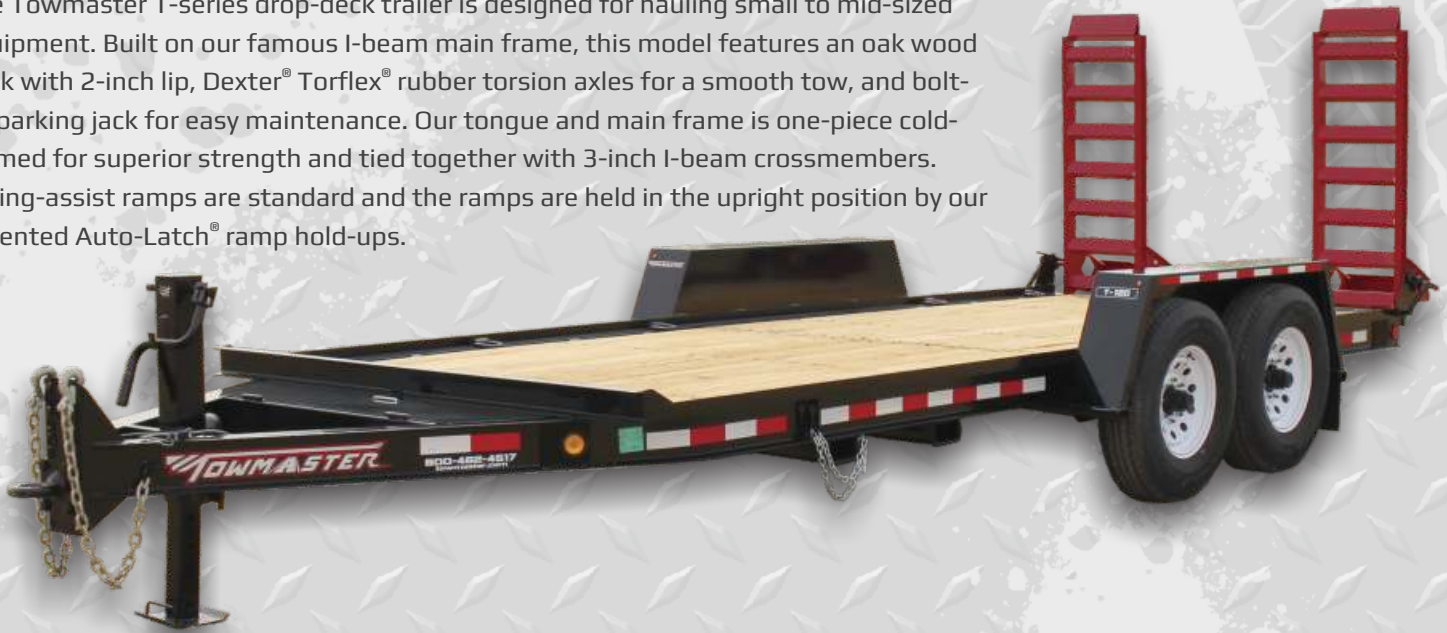


T-9D / T-10D / T-12D

The Towmaster T-series drop-deck trailer is designed for hauling small to mid-sized equipment. Built on our famous I-beam main frame, this model features an oak wood deck with 2-inch lip, Dexter® Torflex® rubber torsion axles for a smooth tow, and bolt-on parking jack for easy maintenance. Our tongue and main frame is one-piece cold-formed for superior strength and tied together with 3-inch I-beam crossmembers. Spring-assist ramps are standard and the ramps are held in the upright position by our patented Auto-Latch® ramp hold-ups.



Sealed battery break-away system charges while plugged into the tow vehicle and can be checked at the press of a button.



Formed frame and tongue provide a strong and integral structure for the trailer. The Towmaster "T-Series" has a squared-deck and 2" lip.



Strong, channel side ladder-style ramps with patented Auto-Latch® ramp hold-ups.

Quick Specs:

- 2" nom. white oak deck
- 14', 16', 18', or 20' deck
- One-piece formed fender and inner panel
- 19" deck height (loaded)
- Dexter® Torflex® axles w/EZ Lube
- Auto-Latch ramp hold-ups
- 82" between fenders
- Forward adjusting electric brakes
- Grommet mounted LED lights



Photos may show optional equipment.

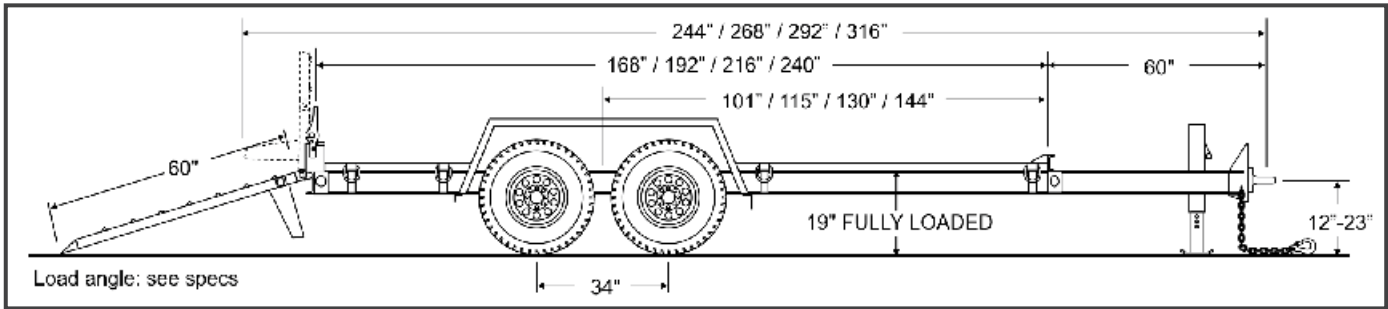
AMERICA'S BEST BUILT TRAILERS FOR PROFESSIONAL HAULERS



800-462-4517
TOWMASTER.COM



MORE MODELS • MORE OPTIONS • MORE CHOICES
DROP-DECK • TILT BED • DECK-OVER • GOOSENECK • LOWBOY • HYDRAULIC TAIL


SPECIFICATIONS

S=Standard O=Optional

CAPACITY / DIMENSIONS	T-9D	T-10D	T-12D
Approx. Payload (lbs/kg)	6,890 / 3125	10,000 / 4536	12,000 / 5443
GVWR (lbs/kg)	9,990 / 4531	13,100 / 5942	15,100 / 6849
GAWR (lbs/kg)	14,000 / 6350	14,000 / 6350	14,000 / 6350
*Approx. Avg. Weight (lbs/kg)	3,100 / 1406	3,100 / 1406	3,100 / 1406
Overall Length – 14' (ft-in/mm)	20-4 / 6198	20-4 / 6198	20-4 / 6198
Overall Length – 16' (ft-in/mm)	22-4 / 6807	22-4 / 6807	22-4 / 6807
Overall Length – 18' (ft-in/mm)	24-4 / 7417	24-4 / 7417	24-4 / 7417
Overall Length – 20' (ft-in/mm)	26-4 / 8027	26-4 / 8027	26-4 / 8027
Deck Height (loaded)(in/mm)	19 / 483	19 / 483	19 / 483
Overall Width (ft-in/mm)	8-6 / 2591	8-6 / 2591	8-6 / 2591
Load Width (in/mm)	82 / 2083	82 / 2083	82 / 2083
TONGUE			
Tongue Length 5'-0" (1524mm)	S	S	S
One-Piece Cold-Formed Tongue / Frame	S	S	S
Pintle Ring (in)	2.5	2.5	2.5
3/8" High-Tensile Safety Chain x 40"	Grade 43	Grade 43	Grade 43
Bolt-on Drop-Leg Parking Jack	7K	7K	12K
FRAME / RAMPS			
Main Beam	W6 Beam	W6 Beam	High-Tensile W6 x 12
Crossmembers	3" Jr I-beam	3" Jr I-beam	3" Jr I-beam
Headboard Height (in / mm)	3 / 76	3 / 76	3 / 76
Deck	2" nom. White Oak	2" nom. White Oak	2" nom. White Oak
Deck Lip (in / mm)	2 / 51	2 / 51	2 / 51
12 ga. One-piece formed fenders and inner panel	S	S	S
Ramps (Ladder Style) Length x Width (ft-in x in/mm)	5-0x18 / 1524x470	5-0x18 / 1524x470	5-0x18 / 1524x470
Load Angle (degrees)	17	17	17
Ramp Spring-Assist	S	S	S
Ramp Hold-ups	Auto-Latch	Auto-Latch	Auto-Latch
Tie Downs	D-ring	D-ring	D-ring
Number of Tie-Downs (Total / Side)	8 / 4	8 / 4	8 / 4
SUSPENSION / TIRES			
Rubber-Ride Axles w/Warranty	S	S	S
Axle Capacity (each) (lbs/kg)	7,000 / 3175	7,000 / 3175	7,000 / 3175
Axle Spread (in/mm)	34 / 864	34 / 864	34 / 864
Hubs	E-Z Lube	E-Z Lube	E-Z Lube
Electric Brakes w/Forward Adjust	S	S	S
Brake Size (in/mm)	12x2 / 305x51	12x2 / 305x51	12x2 / 305x51
Battery Break-Away Kit with Tow Charger	S	S	S
Wheels (in/mm)	16x6 / 406x152	16x6 / 406x152	16x6 / 406x152
Wheel Bolt Pattern	8-bolt	8-bolt	8-bolt
Tires / Load Range Rating	235/85R16 / E	235/85R16 / E	235/85R16 / E

STANDARD EQUIPMENT

- Adjustable hitch height
- RV electrical plug
- Weather resistant sealed modular wiring
- Grommet mounted LED lights
- Registration holder
- Rust inhibiting primer
- Durable, rust inhibiting top coat
- Die-cut UV resistant vinyl decals
- D.O.T. approved conspicuity tape
- Mud flaps
- Adjustable ramp width spacing
- Trailer color: Equipment black
- Ramp color: Equipment red

OPTIONAL EQUIPMENT

- Hydraulic surge brakes
- 3" pintle ring or 2-5/16" ball coupler
- Gooseneck hitch
- 6-pole round electrical plug
- Storage tray lid
- Pallet fork holders
- 8K electric winch
- Additional tie-downs
- 3 ft. beavertail (comes with 4 ft. ramps)
- Spare tire and wheel mount
- Spare tire and wheel
- Tire upgrades available on select models
- Solid-bar ramp hold up
- Several ramp options available
- Color options: Construction Yellow, Equipment Red, Blue, Charcoal
- Galvanizing



Other options may be available. Ask your dealer or visit our website.

*Payload capacity is calculated by taking the GVWR and subtracting the trailer weight. Listed GVWR, weights, and dimensions are for reference only. Manufacturer reserves the right to change models and specifications as they see fit. See our web site or your local authorized dealer for more information.