

### T-70HT / T-80HT / T-110HT



Hydraulic Tail trailers by Towmaster<sup>®</sup> are designed for the rental and construction industries. They feature a perimeter frame design, a fifth-wheel gooseneck with top deck, hydraulic folding tail, and 12,000 lb. winch. LED lights, oak wood deck, hi-tensile fabricated steel beam frame, dual parking jacks, and driver side controls are also standard. Several configurations and options are available.



12K hydraulic winch with cable is standard. It is positioned at the front of the 10-foot upper deck of the HT trailer.



Hydraulic tail creates a low load angle and easy approach. Rear tail section folds under when in transport position.



Easily haul several types of equipment with the HT trailer by Towmaster.

#### Quick Specs:

- 39" deck height (empty)
- 8'-6" deck width
- 43' to 48' overall length
- 10' top deck
- Air suspension and brakes
- Dump valve and pressure gauge
- 12K hydraulic winch/cable
- Hydraulic fold-under tail
- Grommet mounted LED lights



Photos may show optional equipment.

## AMERICA'S BEST BUILT TRAILERS FOR PROFESSIONAL HAULERS



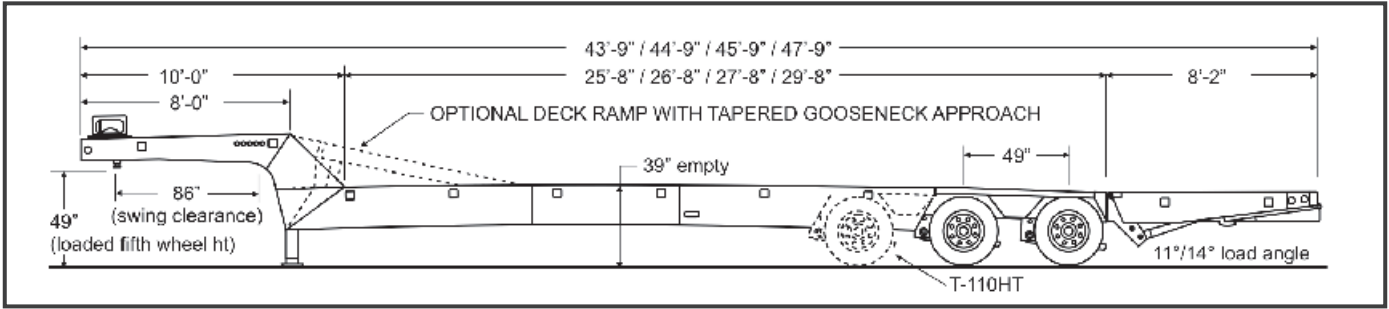
**800-462-4517**  
TOWMASTER.COM



**GALVANIZING  
AVAILABLE**



MORE MODELS • MORE OPTIONS • MORE CHOICES  
DROP-DECK • TILT BED • DECK-OVER • GOOSENECK • LOWBOY • HYDRAULIC TAIL



**SPECIFICATIONS**

S=Standard O=Optional

CAPACITY / DIMENSIONS	T-70HT	T-80HT	T-110HT
Capacity Rating (lbs/kg)	70,000 / 31,751	80,000 / 39,916	110,000 / 49,895
GVWR (lbs/kg)	87,400 / 39,643	97,800 / 44,179	129,525 / 58,752
GAWR (lbs/kg)	45,400 / 20,593	45,400 / 20,593	68,100 / 30,890
Approx. Weight (lbs/kg)	17,400 / 7892	17,400 / 7892	19,525 / 8856
Overall Length (ft-in/mm)	See drawing	See drawing	See drawing
Deck Height (empty)(in/mm)	39 / 991	39 / 991	39 / 991
Deck Length (ft-in/mm)	See drawing	See drawing	See drawing
Overall Width (ft-in/mm)	8-6 / 2591	8-6 / 2591	8-6 / 2591
<b>GOOSENECK</b>			
Gooseneck Type	Tapered	Tapered	Tapered
Top Deck Length (ft-in/mm)	10-0 / 3048	10-0 / 3048	10-0 / 3048
Swing Clearance (in/mm)	86 / 2184	86 / 2184	86 / 2184
Truck Height (in/mm)	49 / 1245	49 / 1245	49 / 1245
(2) Bolt-on Telescoping Parking Jacks	25K	25K	25K
12K Hydraulic Winch with cable	S	S	S
<b>FRAME / RAMPS</b>			
Main Beam	Mfg. Cambered	Mfg. Cambered	Mfg. Cambered
Crossmembers	8" I-beam	8" I-beam	8" I-beam
Crossmember Spacing (in/mm)	12 / 305	12 / 305	12 / 305
Deck Material	Nom 2" Angelim Pedra	Nom 2" Angelim Pedra	Nom 2" Angelim Pedra
6' Hyd. Deck Ramp w/Tapered Gooseneck Approach	O	O	O
8' Hyd. Deck Ramp w/Tapered Gooseneck Approach	O	O	O
Tie Downs (4'-0" centers) (total/Side)	Stake Pockets	Stake Pockets	Stake Pockets
Hyd. Tail (ft-in x in/mm)	12-0" / 3658	12-0" / 3658	12-0" / 3658
<b>SUSPENSION / TIRES</b>			
Suspension	Air	Air	Air
No. of Axles	2	2	3
Axle Capacity (each) (lbs/kg)	22,500 / 10,206	22,500 / 10,206	22,500 / 10,206
Axle Spread (in/mm)	49 / 1245	49 / 1245	49 / 1245
Hubs	Oil Bath	Oil Bath	Oil Bath
Brake Size (in/mm)	12.25x7.5 / 311x191	12.25x7.5 / 311x191	12.25x7.5 / 311x191
Air Brakes (Full ABS Modulated, Park Brake All Axles)	S	S	S
Hub Piloted Budd-type Wheels (in/mm)	17.5x6.75 / 445x171	17.5x6.75 / 445x171	17.5x6.75 / 445x171
Wheel Bolt Pattern	8-bolt	8-bolt	8-bolt
Tires / Load Range Rating	235/75R17.5 / H	235/75R17.5 / H	235/7517.5 / H

**STANDARD EQUIPMENT**

- S.A.E. King Pin
- 7-pole round electrical plug
- Weather resistant sealed modular wiring
- Grommet mounted LED lights
- Registration holder
- Rust inhibiting primer
- Durable, rust inhibiting top coat
- Die-cut UV resistant vinyl decals
- D.O.T. approved conspicuity tape
- Mud flaps
- Adjustable ramp width spacing
- Trailer color: Equipment black

**OPTIONAL EQUIPMENT**

- Deck ramp with tapered gooseneck
- 20K winch
- Remote control
- Self-contained hydraulic unit
- Dual hydraulic controls
- 2-speed 25K parking jacks
- Additional deck length
- Several deck traction options
- Several tie-down options
- Aluminum wheel options
- Spare tire and wheel mount
- Spare tire and wheel
- Light options
- Color options: Construction Yellow, Equipment Red, Blue, Charcoal

Other options may be available. Ask your dealer or visit our website.

\*Payload capacity is calculated by taking the GVWR and subtracting the trailer weight. Listed GVWR, weights, and dimensions are for reference only. Manufacturer reserves the right to change models and specifications as they see fit. See our web site or your local authorized dealer for more information.

